

# CENTURY®

LEGENDARY LEADERSHIP



## OWNER'S MANUAL 10 SERIES ALUMINUM & STEEL CARRIERS

INSTALLATION, OPERATION, MAINTENANCE & PARTS

**NOTE: MANUAL including SPECIFICATIONS, subject to change without notice**  
All ratings specified are based on structural factors only,  
not vehicle capacities or capabilities.

**CENTURY®**

Miller Industries Towing Equipment Inc.  
8503 Hilltop Drive  
Ooltewah, Tennessee 37363

FORM NO. 0500803  
REV. A  
02 / 01  
PRICE \$25.00

Phone (423) 238-4171 • FAX (423) 238-5371

## LIMITED WARRANTY

MILLER INDUSTRIES TOWING EQUIPMENT INC., hereinafter referred to as MILLER, warrants to the original purchaser that each new MILLER Carrier will be free from defects in material and workmanship for a period of one (1) year from the date of purchase. The purchaser must promptly notify MILLER in writing of any failure in material or workmanship. In no event shall such notification be received by MILLER later than thirteen (13) months from date of delivery.

The obligation under this warranty, statutory or otherwise, is limited to the repair or replacement at our factory, or at a point designated by us, of such part or parts as shall appear to us upon inspection to be defective in material or workmanship. New or remanufactured parts will be used for any replacement.

This warranty does not obligate MILLER to bear the cost of labor or transportation charges in connection with the replacement or repair of any parts found to be defective, nor shall it apply to a product upon which repairs or alterations have been made unless authorized by us.

MILLER shall in no event be liable for any incidental or consequential damages or contingent arising out of the failure of any parts or products to operate properly. NO IMPLIED, EXPRESS, OR STATUTORY WARRANTY OTHER THAN STATED HEREIN IS MADE OR AUTHORIZED TO BE MADE BY OR FOR US, INCLUDING, BUT NOT LIMITED TO, THE IMPLIED WARRANTIES OF MERCHANTABILITY AND FITNESS FOR A PARTICULAR PURPOSE.

MILLER makes no warranty, express or implied, as to finished products manufactured or supplied by another manufacturer or supplier by MILLER to purchaser, including, but not limited to, any vehicle to which a MILLER product may be affixed or accessories or wire rope (cable), and expressly disclaims any implied warranties of merchantability or fitness for a particular purpose as to such equipment or products. This language shall in no way affect or diminish the rights of purchaser to rely on such warranties as are extended by such manufacturers or suppliers.

MILLER, whose policy is one of continuous improvement, reserves the right to improve its product through changes in design or materials as it may deem desirable without being obligated to incorporate such changes in products of prior manufacture.

IT IS EXPRESSLY UNDERSTOOD THAT THERE IS NO IMPLIED WARRANTY THAT MILLER CARRIERS SHALL BE FIT FOR THE PURPOSE OF LIFTING OR MOVING PERSONS OR OTHER IMPROPER USE. THIS WARRANTY IS NOT TRANSFERABLE.



Miller Industries Towing Equipment Inc.  
8503 Hilltop Drive  
Ooltewah, Tennessee 37363  
Telephone (423) 238-4171

**SERIAL NUMBER**

## Section VI - PARTS

This Section is provided by the manufacturer for the purpose of ordering any component part of the **10 Series Car Carrier** that may be required when part replacement is necessary. Be certain to use only original equipment replacement parts for warranty purposes as well as for keeping your **10 Series Car Carrier** in its original state and optimum operating capacities.

When ordering replacement or spare parts be sure to provide the following information to the manufacturer's **Parts Department**.

1. **Manual Number & Date of Publication**
2. **Manual Page Number**
3. **Page Title**
4. **Reference Number of Part Desired**
5. **Part Number**
6. **Part Description**
7. **Quantity of Part Desired**

Providing this information will help ensure that the correct parts will be delivered to you in an expedient manner without delay. Should additional information be required for repair or replacement of certain components, contact your Wrecker Manufacturer Authorized Representative.

The Manufacturer reserves the right, without notice or obligation, to improve or modify their products, which may change the specifications, models and feature availability.



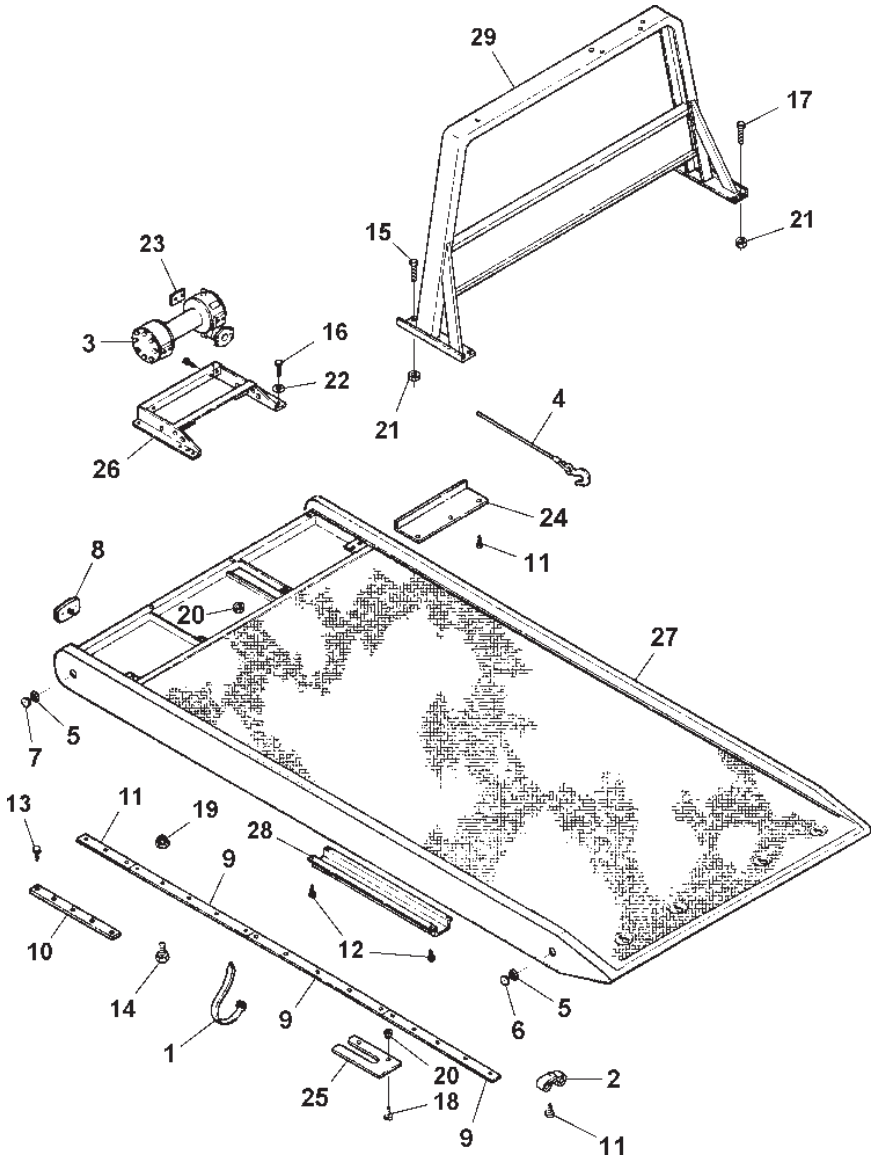
## Section VI - PARTS (cont'd)

### ALUMINUM BED ASSEMBLY

REF. NO.	NO. REQ'D	PART NUMBER	DESCRIPTION
1	8	0300132	WIRE TIE
2	14	0300134	HOSE CLAMP
3	1	0300250	4 TON WINCH ASSEMBLY (STD)
		0303273	4 TON PLANETARY WINCH ASSEMBLY (OPT)
4	1	0301669	CABLE ASSEMBLY
5	2	0301740	GROMMET, MARKER LIGHT
6	2	0301741	SEALED LAMP (RED)
7	2	0301742	SEALED LAMP (AMBER)
8	2	0302180	BEARING PAD (SPECIFY BODY LENGTH)
9	2	0306009	BEARING PAD, 60"
10	4	0400044	DRIVE SCREW
11	15	0400077	SCREW, 1/4" X 1" SELF DRILLING
12	8	0400088	SCREW, 1/4"-20 X 5/8" STAINLESS
13	6	0400177	SCREW, 1/2"-13 X 1-1/4" HEX HD CAP
14	4	0400181	SCREW, 1/2"-13 X 1-1/2" HEX HD CAP
15	2	0400213	SCREW, 3/8"-16 X 1-1/2" HEX HD CAP
16	3	0400392	NUT, 3/8"-16 HEX NYLON
17	10	0400408	NUT, 1/2"-13 HEX NYLON
18	4	0400492	WASHER, 1/2" FLAT
19	2	0701172	SPACER, WINCH BRACKET
20	4	0702517	BEARING PAD STOP BAR
21	1	0703203	COVER PLATE
22	1	0708913	ANTI-TILT PLATE
23	1	0710822L	MARKER LIGHT CASTING, LEFT
	1	0710822R	MARKER LIGHT CASTING, RIGHT
24	1	0801482	WINCH MOUNTING BRACKET (STD WINCH)
		0805215	WINCH MOUNTING BRACKET (OPT WINCH)
25	1	0801547	CAR CARRIER BED (19' ALUMINUM)
26	1	0720283	HOSE TRAY (19' CARRIER)
		0709850	HOSE TRAY (19' 6" CARRIER)
		0709851	HOSE TRAY (20' CARRIER)
		0710777	HOSE TRAY (21' CARRIER)
27	1	0805175	CAB PROTECTOR WELDMENT (32" HIGH)
		0805176	CAB PROTECTOR WELDMENT (34" HIGH)
		0805177	CAB PROTECTOR WELDMENT (36" HIGH)
		0805178	CAB PROTECTOR WELDMENT (42" HIGH)
		0805179	CAB PROTECTOR WELDMENT (45" HIGH)
		0805180	CAB PROTECTOR WELDMENT (48" HIGH)
		0805181	CAB PROTECTOR WELDMENT (52" HIGH)
		0805182	CAB PROTECTOR WELDMENT (54" HIGH)
28	2	LT0118	FRONT MARKER LIGHT (AMBER)

# Section VI - PARTS (cont'd)

## STEEL BED ASSEMBLY



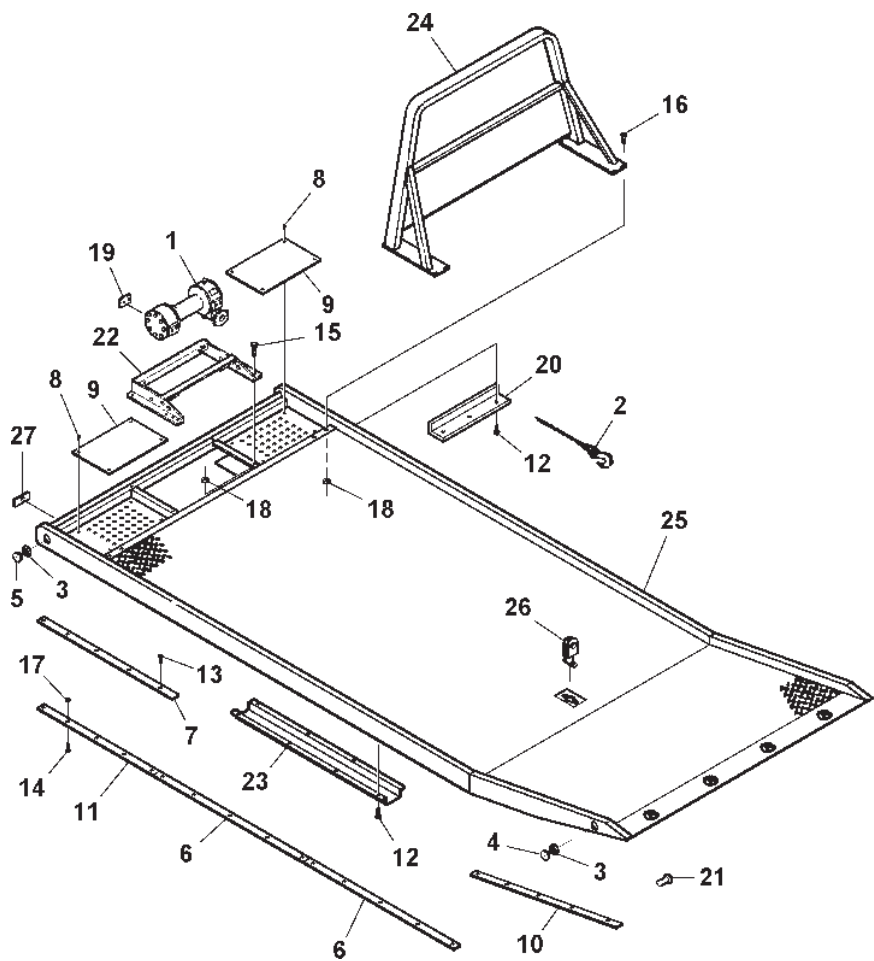
## Section VI - PARTS (cont'd)

### STEEL BED ASSEMBLY

REF. NO.	NO. REQ'D	PART NUMBER	DESCRIPTION
1	8	0300132	WIRE TIE
2	2	0300134	HOSE CLAMP
3	1	0300250	4 TON WINCH ASSEMBLY (STD)
		0303273	4 TON PLANETARY WINCH ASSEMBLY (OPT)
4	1	0301669	CABLE ASSEMBLY
5	2	0301740	GROMMET, MARKER LIGHT
6	2	0301741	SEALED LAMP (RED)
7	2	0301742	SEALED LAMP (AMBER)
8	2	0301887	LIGHT ASSEMBLY (RED)
9	6	0306007	BEARING PAD, 54"
10	2	0306009	BEARING PAD, 60"
11	2	0306033	BEARING PAD, 42"
12	13	0400077	SCREW, 1/4" X 1" SELF DRILLING
13	8	0400088	SCREW, 1/4"-20 X 5/8" STAINLESS
14	38	0400089	SCREW, 1/4"-20 X 1" STAINLESS
15	2	0400177	SCREW, 1/2"-13 X 1-1/4" HEX HD CAP
16	4	0400181	SCREW, 1/2"-13 X 1-1/2" HEX HD CAP
17	4	0400211	SCREW, 1/2"-13 X 1-3/4" HEX HD CAP
18	2	0400213	SCREW, 3/8"-16 X 1-1/2" HEX HD CAP
19	38	0400367	NUT, 1/4"-20 HEX NYLOK
20	2	0400392	NUT, 3/8"-16 HEX NYLOK
21	14	0400408	NUT, 1/2"-13 HEX NYLOK
22	4	0400492	WASHER, 1/2" FLAT
23	2	0701172	SPACER, WINCH BRACKET
24	1	0705332	COVER PLATE
25	1	0708913	ANTI-TILT PLATE
26	1	0801482	WINCH MOUNTING BRACKET (STD WINCH)
		0805215	WINCH MOUNTING BRACKET (OPT WINCH)
27	1	0801571	CAR CARRIER BED (19' STEEL)
28	1	0720283	HOSE TRAY (19' CARRIER)
		0709850	HOSE TRAY (19' 6" CARRIER)
		0709851	HOSE TRAY (20' CARRIER)
		0710777	HOSE TRAY (21' CARRIER)
29	1	0805175	CAB PROTECTOR WELDMENT (32" HIGH)
		0805176	CAB PROTECTOR WELDMENT (34" HIGH)
		0805177	CAB PROTECTOR WELDMENT (36" HIGH)
		0805178	CAB PROTECTOR WELDMENT (42" HIGH)
		0805179	CAB PROTECTOR WELDMENT (45" HIGH)
		0805180	CAB PROTECTOR WELDMENT (48" HIGH)
		0805181	CAB PROTECTOR WELDMENT (52" HIGH)
		0805182	CAB PROTECTOR WELDMENT (54" HIGH)

# Section VI - PARTS (cont'd)

## RIGHT APPROACH BED ASSEMBLY





## Section VI - PARTS (cont'd)

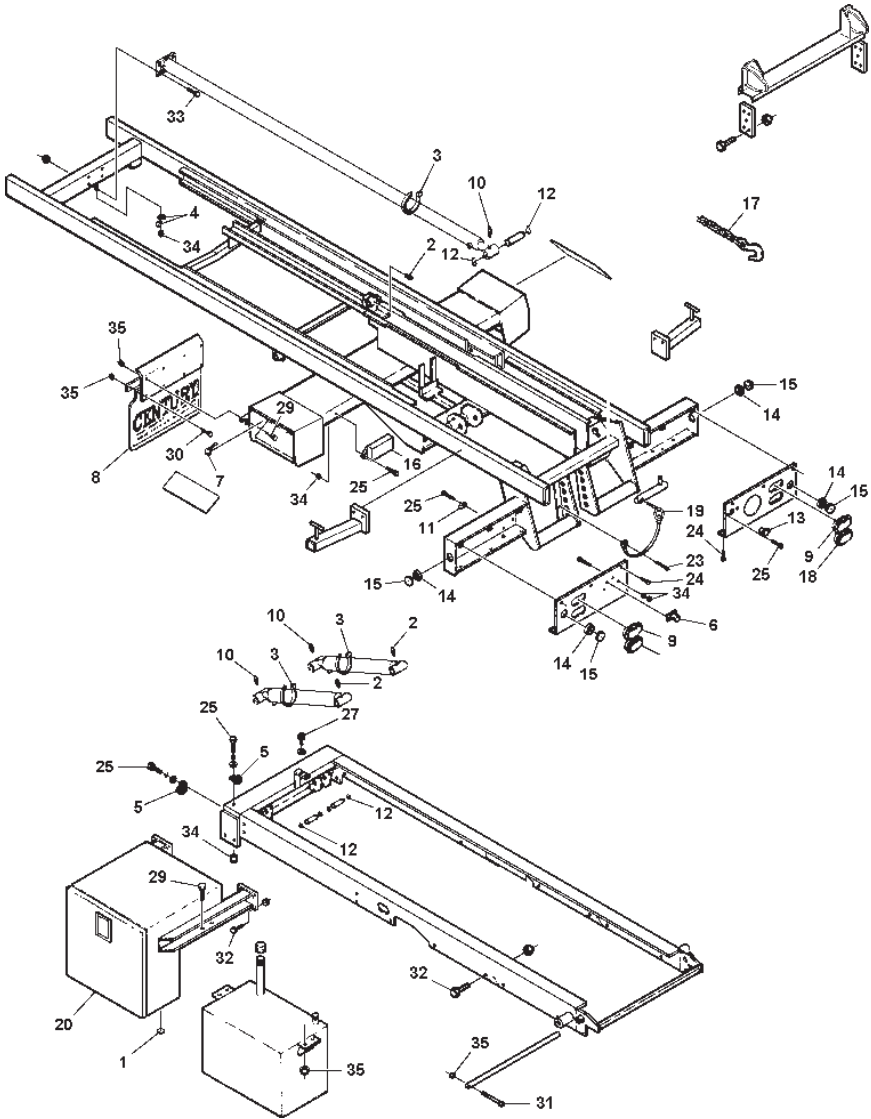
### RIGHT APPROACH BED ASSEMBLY

REF. NO.	NO. REQ'D	PART NUMBER	DESCRIPTION
1	1	0300250	4 TON WINCH ASSEMBLY (STD)
		0303273	4 TON PLANETARY WINCH ASSEMBLY (OPT)
2	1	0301669	CABLE ASSEMBLY
3	2	0301740	GROMMET, MARKER LIGHT
4	2	0301741	SEALED LAMP (RED)
5	2	0301742	SEALED LAMP (AMBER)
6	4	0306007	BEARING PAD, 54"
7	2	0306009	BEARING PAD, 60"
8	8	0306051	TREE CLIPS
9	2	0306054	STORAGE TRAY MAT
10	2	0306094	BEARING PAD, 38-1/2"
11	2	0306108	BEARING PAD, 49-3/4"
12	11	0400077	SCREW, 1/4" X 1" SELF DRILLING
13	10	0400088	SCREW, 1/4"-20 X 5/8" STAINLESS
14	40	0400089	SCREW, 1/4"-20 X 1" STAINLESS
15	4	0400181	SCREW, 1/2"-13 X 1-1/2" HEX HD CAP
16	6	0400211	SCREW, 1/2"-13 X 1-3/4" HEX HD CAP
17	40	0400367	NUT, 1/4"-20 HEX NYLOK
18	10	0400408	NUT, 1/2"-13 HEX NYLOK
19	2	0701172	SPACER, WINCH BRACKET
20	1	0705332	COVER PLATE
27	5	0720023	HINGE PIN
21	1	0801482	WINCH MOUNTING BRACKET (STD WINCH)
		0805215	WINCH MOUNTING BRACKET (OPT WINCH)
22	1	0720283	HOSE TRAY (19' CARRIER)
		0709850	HOSE TRAY (19' 6" CARRIER)
		0709851	HOSE TRAY (20' CARRIER)
		0710777	HOSE TRAY (21' CARRIER)
23	1	0805175	CAB PROTECTOR WELDMENT (32" HIGH)
		0805176	CAB PROTECTOR WELDMENT (34" HIGH)
		0805177	CAB PROTECTOR WELDMENT (36" HIGH)
		0805178	CAB PROTECTOR WELDMENT (42" HIGH)
		0805179	CAB PROTECTOR WELDMENT (45" HIGH)
		0805180	CAB PROTECTOR WELDMENT (48" HIGH)
		0805181	CAB PROTECTOR WELDMENT (52" HIGH)
		0805182	CAB PROTECTOR WELDMENT (54" HIGH)
24	1	0805198	CARRIER BED, RIGHT APPROACH (19' STEEL)
25	1	0805324	CABLE GUIDE ASSEMBLY
26	2	GP132	FRONT MARKER LIGHT (AMBER)

# Section VI - PARTS (cont'd)

## MOUNTING & TILT FRAME ASSEMBLY

(Continued on page VI-10)



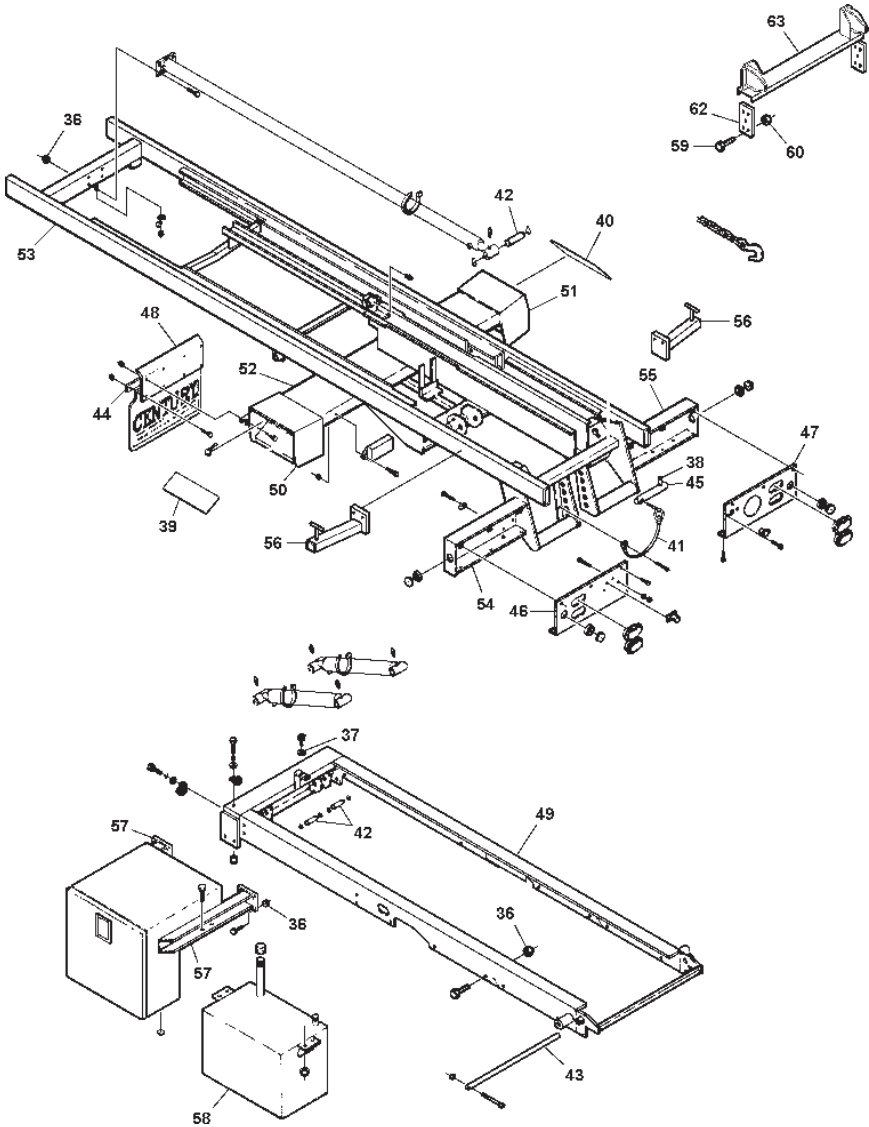
**Section VI - PARTS (cont'd)**  
**MOUNTING & TILT FRAME ASSEMBLY**  
**(Continued on page VI-11)**

REF. NO.	NO. REQ'D	PART NUMBER	DESCRIPTION
1	1	0300032	HOLE PLUG, 1"
2	3	0300113	GREASE FITTING
3	18	0300132	CABLE TIE
4	4	0300134	HOSE CLAMP, INSULATED
5	2	0300188	HOSE CLAMP, INSULATED
6	1	0300273	LICENCE PLATE ILLUMINATOR
7	2	0300867	CONTROL PANEL ILLUMINATOR
8	2	0301223	MUD FLAP
9	2	0301390	TAIL LIGHT ASSEMBLY (RED)
10	3	0301397	GREASE FITTING, 90°
11	8	0301601	CLAMP
12	10	0301642	SNAP RING, 1-1/4"
13	1	0301671	TOW LIGHT SOCKET
14	4	0301740	GROMMET MOUNTING KIT
15	4	0301741	SEALED LAMP (RED)
16	1	0303385	JUNCTION BOX
17	2	0301932	SAFETY CHAIN W/ HOOKS, 10' LONG
18	2	0302201	LIGHT, BACK UP (WHITE)
19	1	0302474	LYNCH PIN
20	1	0306041	TOOL BOX
21	1	0306385	BACK-UP ALARM (NOT SHOWN)
22	1	0306386	BACK-UP ALARM GROMMET (NOT SHOWN)
23	1	0400021	SCREW, #8-32 X 1/2" PAN HD
24	12	0400045	SCREW, #10-32 X 1/2" SELF TAPPING
25	8	0400060	SCREW, 1/4"-20 X 1/2" HEX HD CAP
26	2	0400061	SCREW, 1/4"-20 X 3/4" HEX HD CAP
27	2	0400066	SCREW, 1/4"-20 X 3/4" HEX HD CAP
28	1	0400070	SCREW, 1/4"-20 X 1" HEX HD CAP
29	12	0400121	SCREW, 3/8"-16 X 3/4" HEX HD CAP
30	9	0400122	SCREW, 3/8"-16 X 1-1/4" HEX HD CAP
31	1	0400150	SCREW, 3/8"-16 X 2-1/2" HEX HD CAP
32	28	0400181	SCREW, 1/2"-13 X 1-1/2" HEX HD CAP
33	20	0400211	SCREW, 1/2"-13 X 1-3/4" HEX HD CAP
34	14	0400367	NUT, 1/4"-20 HEX NYLOK
35	20	0400392	NUT, 3/8"-16 HEX NYLOK

# Section VI - PARTS (cont'd)

## MOUNTING & TILT FRAME ASSEMBLY

(Continued from page VI-8)

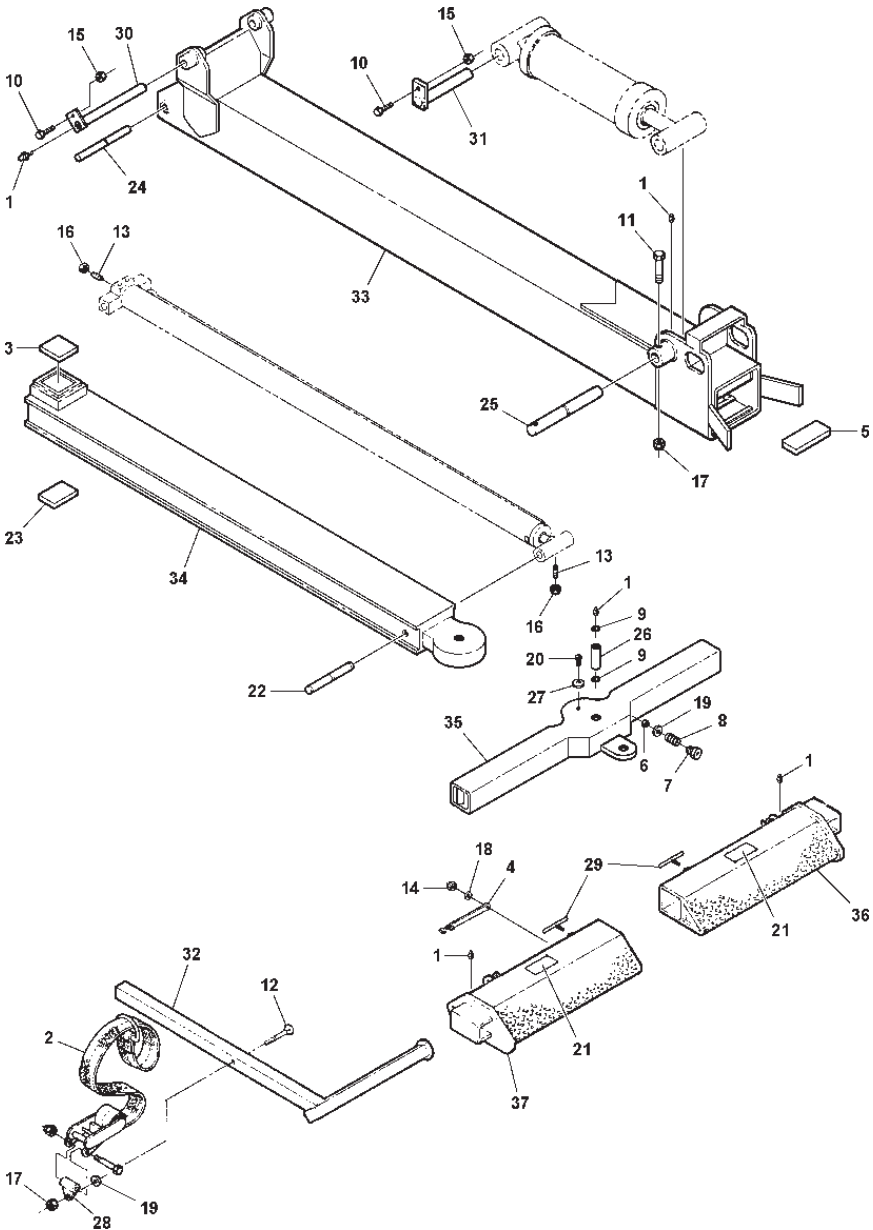


**Section VI - PARTS (cont'd)**  
**MOUNTING & TILT FRAME ASSEMBLY**  
**(Continued from page VI-9)**

REF. NO.	NO. REQ'D	PART NUMBER	DESCRIPTION
36	32	0400408	NUT, 1/2"-13 HEX NYLOK
37	2	0400452	LOCKWASHER, 1/4"
38	1	0400564	ROLL PIN
39	1	0500425	DECAL, CONTROL STATION (LEFT SIDE)
40	1	0500426	DECAL, CONTROL STATION (RIGHT SIDE)
41	2	0700584	CABLE
42	5	0702434	SHAFT, CYLINDER
43	1	0704792	PIVOT PIN
44	2	0705092	BAR, MUDFLAP
45	1	0709867	SAFETY PIN
46	1	0705253	PLATE, LIGHT MOUNTING (LEFT SIDE)
47	1	0705254	PLATE, LIGHT MOUNTING (RIGHT SIDE)
48	1	0720080	MUD FLAP MOUNTING BRACKET, LONG, RH
	1	0720081	MUD FLAP MOUNTING BRACKET, LONG, LH
	1	0720141	MUD FLAP MOUNTING BRACKET, SHORT, RH
	1	0720142	MUD FLAP MOUNTING BRACKET, SHORT, LH
49	1	0801553	MOUNTING FRAME
50	1	0801557	CONTROL BOX HOOD, LEFT
51	1	0801558	CONTROL BOX HOOD, RIGHT
52	1	0801559	CENTER CONTROL HOUSING
53	1	0801565	TILT FRAME
54	1	0801573	TAIL LIGHT HOUSING (LEFT SIDE)
55	1	0801574	TAIL LIGHT HOUSING (RIGHT SIDE)
56	2	0802663	L-ARM STORAGE BRACKET
57	2	0802667	TOOL BOX/OIL TANK MOUNTING BRACKET
58	1	0805237	RESERVOIR ASSEMBLY
--	--	--	BEDLOCK KIT
59	6	0400211	SCREW, 1/2"-13 X 1-3/4" HEX HD CAP
60	6	0400408	NUT, 1/2"-13 HEX NYLOK
61	12	0400492	WASHER, 1/2" FLAT
62	2	0704784	BEDLOCK PLATE
63	1	0805054	BEDLOCK ASSEMBLY

# Section VI - PARTS (cont'd)

## WHEEL LIFT & SLIDE-IN TIRE RESTRAINT ASSEMBLY

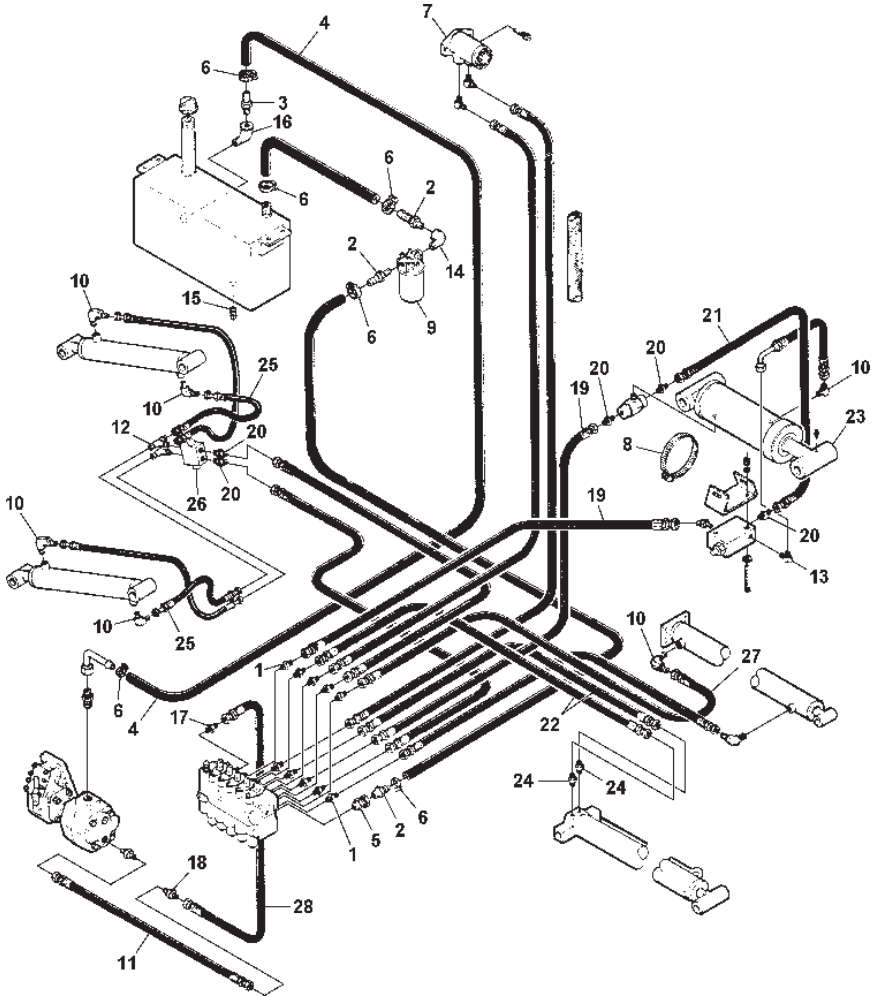


## Section VI - PARTS (cont'd)

### WHEEL LIFT & SLIDE-IN TIRE RESTRAINT ASSEMBLY

REF. NO.	NO. REQ'D	PART NUMBER	DESCRIPTION
1	5	0300113	GREASE FITTING
2	2	0301398	RATCHET, TIE DOWN (INCL SCREW & NUT)
3	1	0301850	BEARING PAD
4	2	0301956	STRAP, RUBBER
5	1	0302183	BEARING PAD
6	1	0308129	DETENT BALL
7	1	0308130	PIPE PLUG
8	1	0308131	DETENT SPRING
9	2	0308132	"O" RING
10	2	0400148	SCREW, 3/8"-16 X 1-1/4" HEX HD CAP
11	1	0400150	SCREW, 3/8"-16 X 2-1/2" HEX HD CAP
12	2	0400161	BOLT, 3/8"-16 X 2-3/4" CARRIAGE
13	2	0400221	SCREW, 3/8"-16 X 1" CUP POINT ALLEN HD
14	2	0400367	NUT, 1/4"-20 HEX NYLOK
15	3	0400392	NUT, 3/8"-16 HEX NYLOK
16	2	0400393	NUT, 3/8"-16 HEX JAM
17	2	0400398	HALF NUT, 3/8"-16 HEX NYLOK
18	2	0400451	WASHER, 1/4" FLAT
19	3	0400480	WASHER, 3/8" FLAT
20	1	0403004	SCREW, 3/8"-16 X 3/4" BUTTON ALLEN HD
21	2	0500241	DECAL, SAFETY CHAIN WARNING
22	1	0702131	SHAFT, INNER TUBE CYLINDER
23	1	0703277	SLIDER, PAD
24	1	0705524	SHAFT, EXTEND CYLINDER
25	1	0705238	PIVOT PIN
26	1	0720460	PIN, CROSSBEAM PIVOT
27	1	0720463	WASHER, 1" O.D. X 3/8" I.D. FLAT
28	2	0800583	PIVOT, TIE DOWN
29	2	0800590	"T" HANDLE
30	1	0801009	SHAFT, PIN ASSEMBLY, UPPER BOOM
31	1	0801012	SHAFT, LIFT CYLINDER
32	2	0801332	TIRE RESTRAINT
33	1	0805149	OUTER BOOM
34	1	0805245	INNER BOOM
35	1	0805434	INNER CROSSTUBE WELDMENT
36	1	0805470	OUTER CROSSTUBE, RIGHT
37	1	0805471	OUTER CROSSTUBE, LEFT

**Section VI - PARTS (cont'd)**  
**HYDRAULICS**  
**(Continued on page VI-16)**





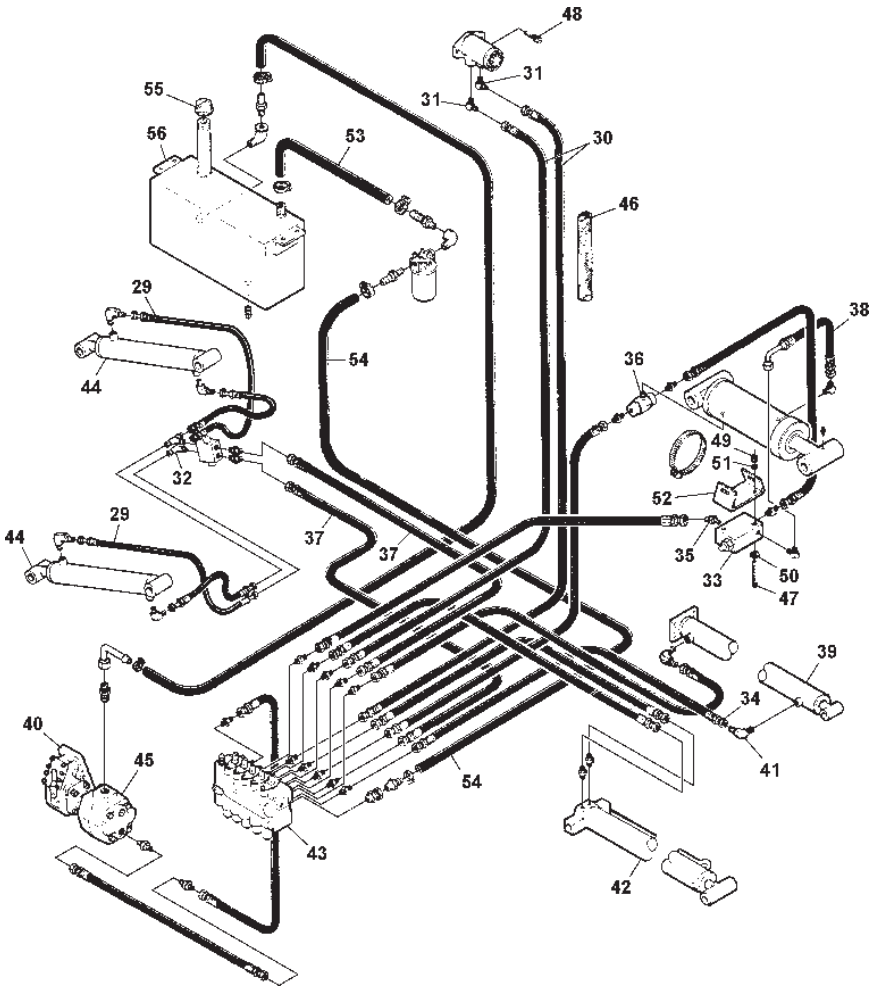
**Section VI - PARTS (cont'd)**  
**HYDRAULICS**  
**(Continued on page VI-17)**

REF. NO.	NO. REQ'D	PART NUMBER	DESCRIPTION
1	10	0300044	CONNECTOR 6MJ-8MB
2	3	0300055	HOSE BARB, 3/4" HOSE-12MP
3	1	0300056	HOSE BARB, 1" HOSE-16MP
4	1	0300058	HOSE, SUCTION 1"
5	1	0300065	SWIVEL, 12MB-12FPX
6	6	0300071	CLAMP, 1" HOSE
7	1	0306157	WINCH MOTOR
8	1	0300133	CLAMP, 3"-4" HOLDING VALVE RETAINER
9	1	0308151	OIL FILTER ASSEMBLY
10	6	0300142	ELBOW, 6MJ-4MP90
11	1	0300165	HOSE ASSEMBLY, 91"
12	2	0300208	TEE, 6MJ-6MJ-4MP
13	1	0300209	ELBOW, 6MJ-6MP90
14	1	0300288	STREET ELBOW, 3/4" 90°
15	1	0300347	PLUG, 1/2" SQ HD BLACK
16	1	0300692	STREET ELBOW, 1" 90°
17	1	0300789	CONNECTOR, 10MB-8MJ
18	1	0300865	CONNECTOR, 8MJ-8MB
19	2	0301403	HOSE ASSEMBLY, 80-1/2"
20	5	0301424	CONNECTOR, 6MJ-4MP
21	1	0301473	HOSE ASSEMBLY, 18"
22	2	0301478	HOSE ASSEMBLY, 54"
23	1	0301484	CYLINDER, WHEEL LIFT TILT
24	2	0301522	CONNECTOR, 6MJ-6MB
25	2	0301524	HOSE ASSEMBLY, 14"
26	1	0301640	VALVE, BED TILT CYLINDER LOCK
27	2	0301658	HOSE ASSEMBLY, 128"
28	1	0301659	HOSE ASSEMBLY, 150"
29	2	0301660	HOSE ASSEMBLY, 21"

# Section VI - PARTS (cont'd)

## HYDRAULICS

(Continued from page VI-14)

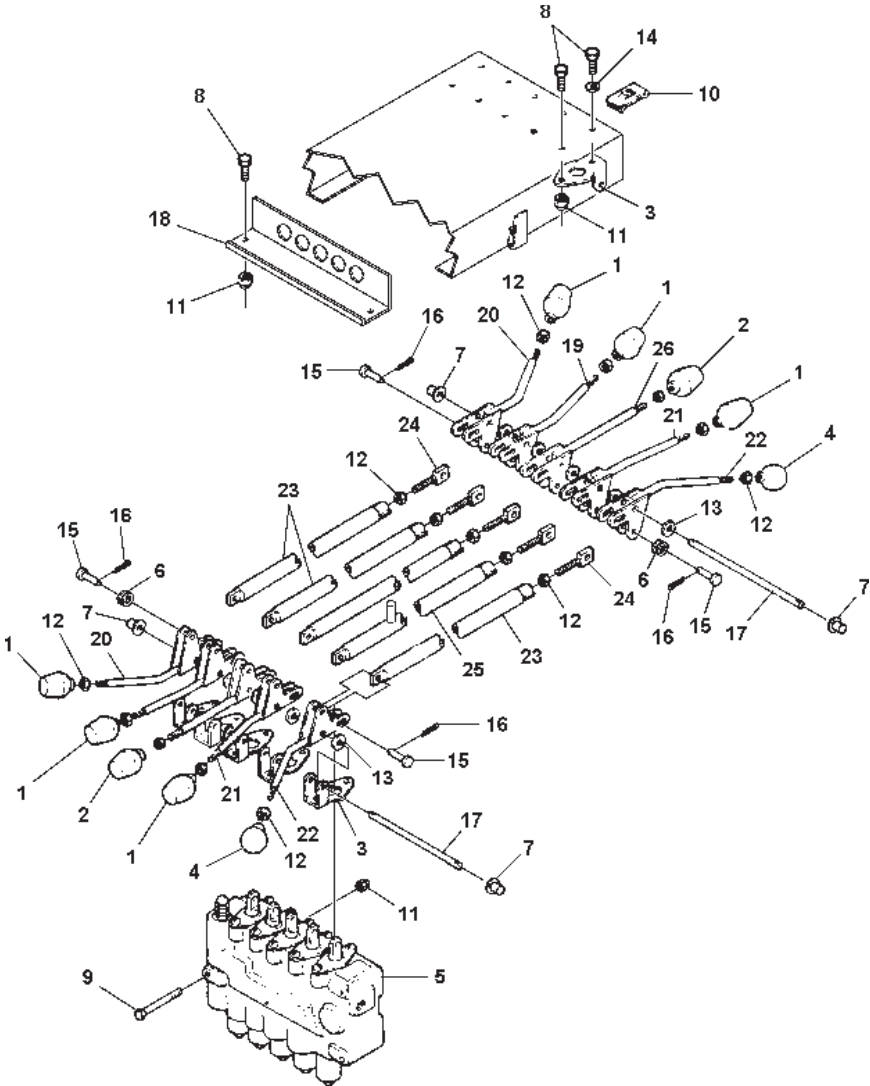


**Section VI - PARTS (cont'd)**  
**HYDRAULICS**  
**(Continued from page VI-15)**

REF. NO.	NO. REQ'D	PART NUMBER	DESCRIPTION
29	2	0301660	HOSE ASSEMBLY, 21"
30	2	0301663	HOSE ASSEMBLY, 204"
31	2	0301665	ELBOW, 6MJ-8MP90
32	1	0301694	ORIFICE TEE
33	1	0301731	VALVE, TILT CYLINDER HOLDING
34	1	0301769	HOSE ASSEMBLY, 52"
35	1	0301848	ELBOW, 6MJ-6MP45
36	1	0301868	TEE, 4FP-4FP-4MP
37	2	0301878	HOSE ASSEMBLY, 137"
38	1	0301900	HOSE ASSEMBLY, 18"
39	1	0301970	CYLINDER, BED EXTEND
40	1	0302037	PTO
41	1	0300229	ELBOW, 8MJ-8MP90
42	1	0302178	CYLINDER, WHEEL LIFT EXTEND
43	1	0302179	CONTROL VALVE, 5 SPOOL
44	2	0302867	CYLINDER, BED LIFT
45	1	0306051	PUMP, HIGH PRESSURE HYDRAULIC
46	1	0306182	SKUFF JACKET
47	2	0400064	SCREW, 1/4"-20 X 2-1/4" RD HD SLOTTED
48	2	0400196	SCREW, 1/2"-13 X 1-1/4" SKT HD CAP
49	2	0400366	NUT, 1/4"-20 HEX
50	2	0400451	WASHER, 1/4" FLAT
51	2	0400452	LOCKWASHER, 1/4" HELICAL
52	1	0703001	BRACKET, W/L HOLDING VALVE MOUNTING
53	1	0704801	RETURN HOSE, 52"
54	1	0704802	RETURN HOSE, 192"
55	1	0801510	DIP STICK WELDMENT
56	1	0805237	RESERVOIR

# Section VI - PARTS (cont'd)

## CONTROL & CROSSROD ASSEMBLY



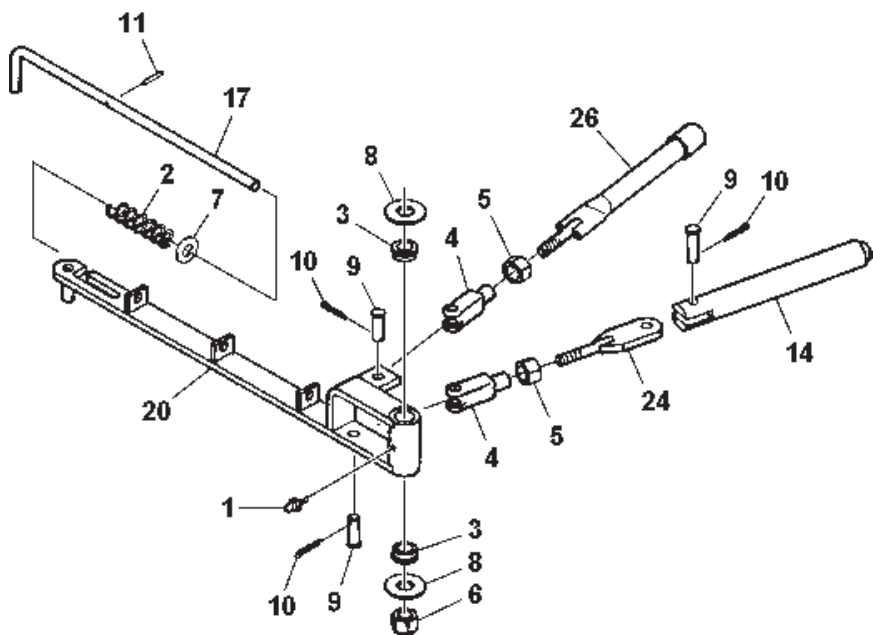
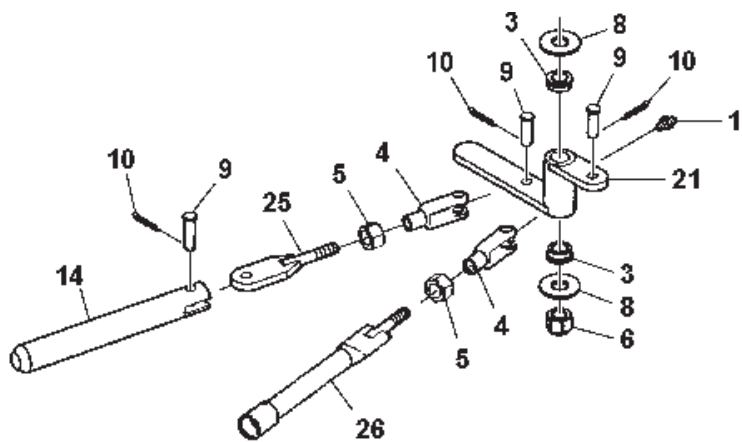
## Section VI - PARTS (cont'd)

### CONTROL & CROSSROD ASSEMBLY

REF. NO.	NO. REQ'D	PART NUMBER	DESCRIPTION
1	6	0300341	KNOB
2	2	0300834	KNOB, "IN/OUT" (RED, CABLE)
3	10	0301638	BRACKET, CONTROL HANDLE
4	2	0301720	KNOB, BALL
5	1	0302179	5-SPOOL CONTROL VALVE
6	10	0306006	SPRING, ANTI-RATTLE
7	4	0306122	END CAP, CONTROL HANDLE ROD
8	12	0400121	SCREW, 3/8"-16 X 3/4" HEX HD
9	3	0400140	SCREW, 3/8"-16 X 4" HEX HD
10	4	0400243	NUT, 3/8", "J" TINNEMAN
11	10	0400392	NUT, 3/8"-16 NYLOK
12	10	0400393	NUT, 3/8"-16 JAM
13	15	0400465	WASHER, 5/16" FLAT
14	5	0400482	LOCKWASHER, 3/8" HELICAL
15	15	0400532	CLEVIS PIN, 5/16" X 1"
16	10	0400543	COTTER PIN, 1/8" X 3/4"
17	2	0705242	CONTROL HANDLE PIVOT ROD
18	1	0720456	ANGLE, NO-SHAKE
19	2	0800795	FRONT INNER CONTROL HANDLE
20	2	0800796	FRONT OUTER CONTROL HANDLE
21	2	0800797	REAR INNER CONTROL HANDLE
22	2	0800798	REAR OUTER CONTROL HANDLE
23	4	0800799	VALVE SHIFTER
24	5	0800800	CONTROL ROD LINK
25	1	0801274	CONTROL ROD LINK, ANTI TILT
26	2	0801566	CONTROL HANDLE, CENTER

# Section VI - PARTS (cont'd)

## RIGHT APPROACH LOCK MECHANISM



## Section VI - PARTS (cont'd)

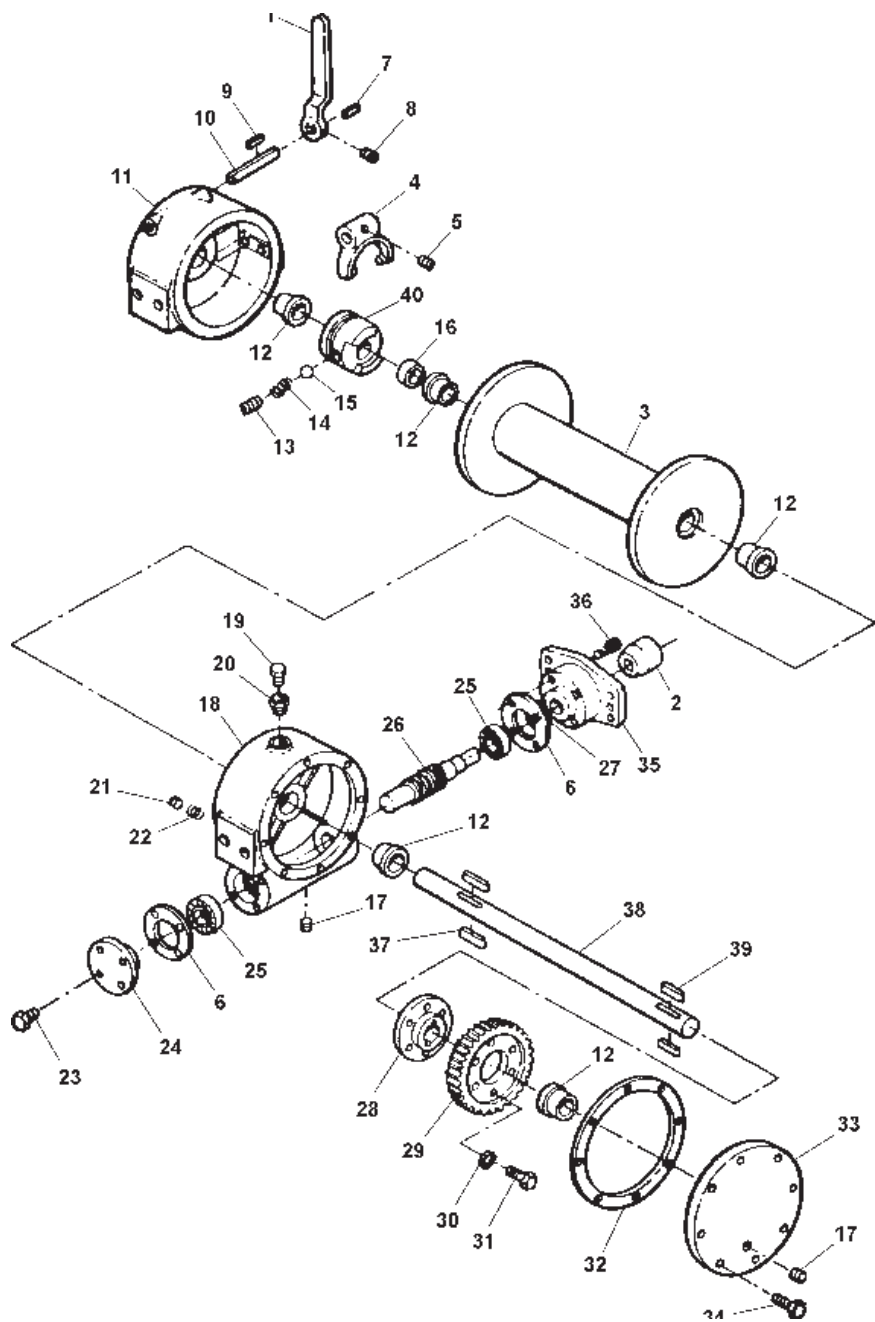
### RIGHT APPROACH LOCK MECHANISM

REF. NO.	NO. REQ'D	PART NUMBER	DESCRIPTION
1	6	0300113	GREASE FITTING, 1/4"-28
2	1	0300845	COMPRESSION SPRING
3	4	0301670	BRONZE BUSHING
4	4	0301586	CLEVIS, 1/2"-13 THREADS
5	4	0400410	NUT, 1/2"-13 HEX JAM
6	2	0400430	NUT, 3/4"-10 HEX NYLOK
7	5	0400492	WASHER, 1/2" FLAT
8	4	0400510	WASHER, 3/4" FLAT
9	6	0400537	CLEVIS PIN, 1/2" X 1-1/2"
10	6	0400549	COTTER PIN, 1/8" X 1"
11	1	0400560	ROLL PIN, 5/32" X 1"
12*	1	0720083	LOCK HOUSING BRACKET (DRIVER SIDE)
13*	1	0720084	LOCK HOUSING BRACKET (PASSENGER SIDE)
14	2	0720120	LOCK PIN
15*	1	0720121	LOCK PIN HOUSING
16*	2	0720122	LOCK PIN HOUSING GUSSET
17	1	0720132	POSITION PIN, LOCK / UNLOCK
18*	1	0805213	LOCK PLATE WELDMENT (DRIVER SIDE)
19*	1	0805214	LOCK PLATE WELDMENT (PASSENGER SIDE)
20	1	0805247	LINKAGE CONTROL ARM (DRIVER SIDE)
21	1	0805248	LINKAGE CONTROL ARM (PASSENGER SIDE)
22*	1	0805249	PIVOT PIN MOUNTING PLATE (DRIVER SIDE)
23*	1	0805250	PIVOT PIN MOUNTING PLATE (PASS. SIDE)
24	1	0805251	LOCK PIN LINKAGE (DRIVER SIDE)
25	1	0805252	LOCK PIN LINKAGE (PASSENGER SIDE)
26	2	0805253	CENTER LINKAGE

\*NOT SHOWN

# Section VI - PARTS (cont'd)

## HYDRAULIC WINCH





## Section VI - PARTS (cont'd)

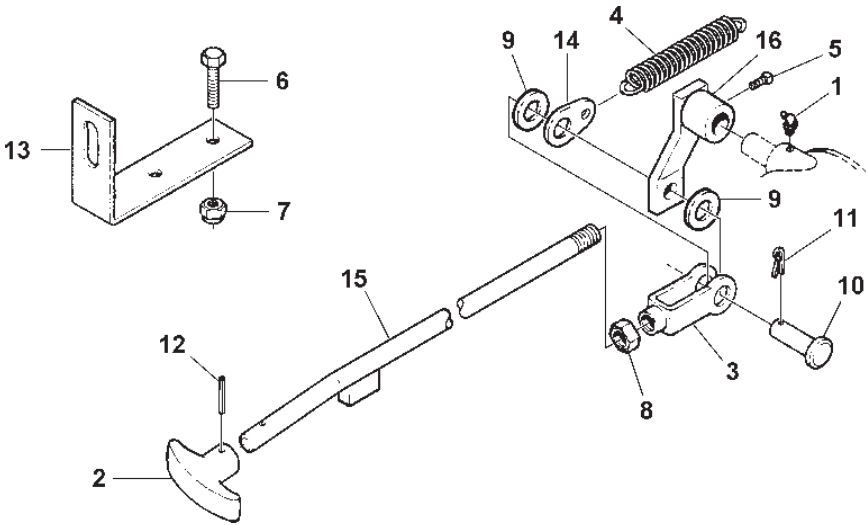
### HYDRAULIC WINCH

REF. NO.	NO. REQ'D	PART NUMBER	DESCRIPTION
1	1	0300261	LEVER
2	1	0300290	COUPLING
3	1	0300381	DRUM
4	1	0300398	YOKE
5	1	0300399	SCREW
6	2	0300447	GASKET
7	1	0300448	KEY
8	1	0300449	SCREW
9	1	0300450	KEY
10	1	0300451	SHAFT
11	1	0300452	CLUTCH HOUSING
12	5	0300453	BUSHING
13	1	0300454	SCREW
14	1	0300455	SPRING
15	1	0300456	BALL
16	1	0300458	SPACER
17	2	0300459	PLUG
18	1	0300460	HOUSING
19	1	0300461	PLUG
20	1	0300462	REDUCER
21	1	0300463	DRAG BRAKE
22	1	0300464	SPRING
23	16	0300465	SCREW
24	1	0300466	CAP
25	2	0300467	BEARING
26	1	0300468	WORM
27	1	0300471	SEAL
28	1	0300472	HUB
29	1	0300473	GEAR
30	6	0300474	WASHER
31	6	0300475	SCREW
32	1	0300476	GASKET
33	1	0600477	COVER
34	4	0300569	SCREW
35	1	0300694	CAP ADAPTER
36	1	0300695	SCREW
37	2	--	KEY
38	1	--	SHAFT
39	2	--	KEY
40	1	--	CLUTCH

\* When ordering specify which serial number.

# Section VI - PARTS (cont'd)

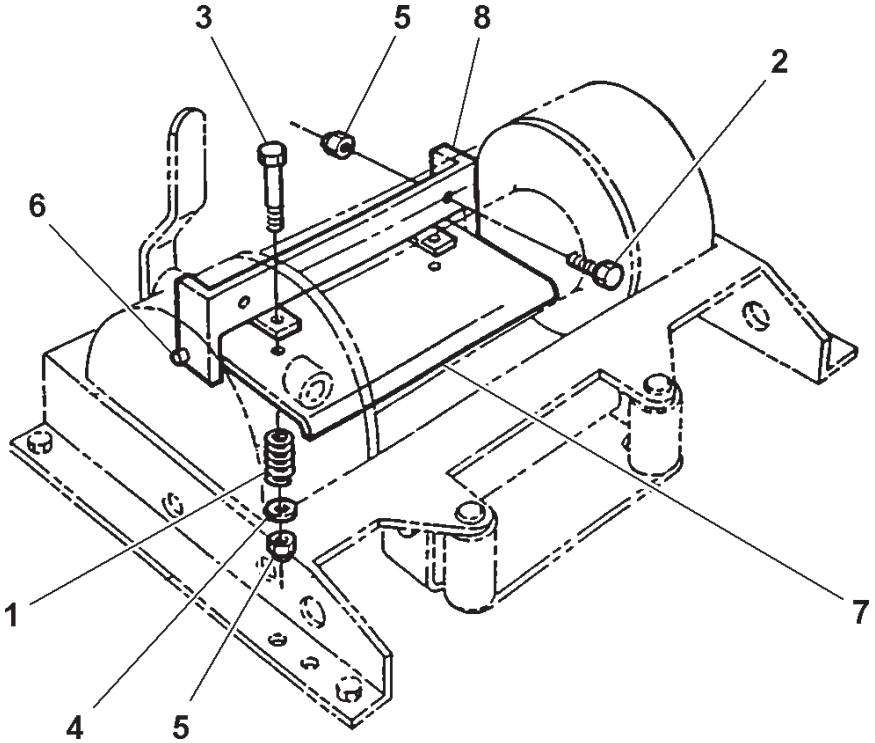
## WINCH CLUTCH CONTROL



REF. NO.	NO. REQ'D	PART NUMBER	DESCRIPTION
1	1	0301397	GREASE FITTING, 90°
2	1	0301532	"T" HANDLE
3	1	0301588	ADJUSTING YOKE
4	1	0306015	SPRING COMPRESSION
5	1	0400116	SCREW, 5/16"-18 X 1/2" SQ HD SET
6	2	0400126	SCREW, 3/8"-16 X 1" HEX HD CAP
7	2	0400392	NUT, 3/8"-16 NYLOK
8	1	0400410	NUT, 1/2"-13 JAM
9	4	0400492	WASHER, 1/2" FLAT
10	1	0400537	PIN, 1/2" X 1-1/2" CLEVIS
11	1	0400546	PIN, 1/8" X 1-1/4" COTTER
12	2	0400560	PIN, 5/32" X 1" ROLL
13	1	0710918	MOUNTING ANGLE
14	1	0710919	SPRING HOLDER
15	1	0805170	CONTROL ROD
16	1	0805151	BELL CRANK

# Section VI - PARTS (cont'd)

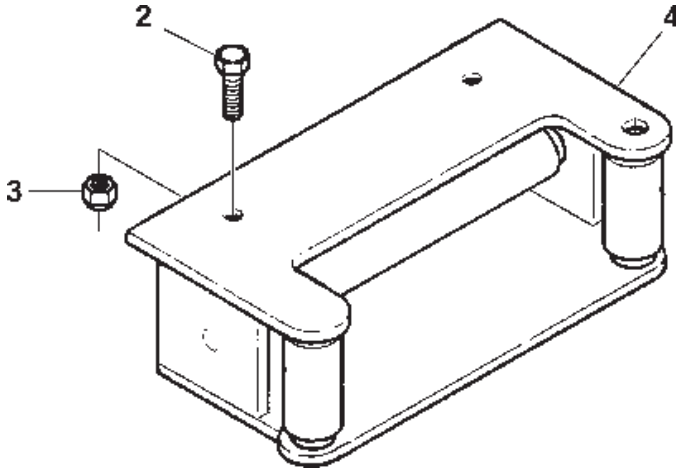
## CABLE TENSIONER ASSEMBLY (STANDARD 4-TON WINCH)



REF. NO.	NO. REQ'D	PART NUMBER	DESCRIPTION
1	2	0301729	TENSIONING SPRING
2	2	0400126	SCREW, 3/8"-16 X 1" HEX HD CAP
3	2	0400130	SCREW, 3/8"-16 X 3-1/2" HEX HD CAP
4	2	0400480	WASHER, 3/8" FLAT
5	4	0400392	NUT, 3/8"-16 HEX NYLOK
6	2	0400554	ROLL PIN, 3/8" X 1"
7	1	0800908	TENSIONING PLATE
8	1	0800909	CABLE TENSIONER BRACKET

## Section VI - PARTS (cont'd)

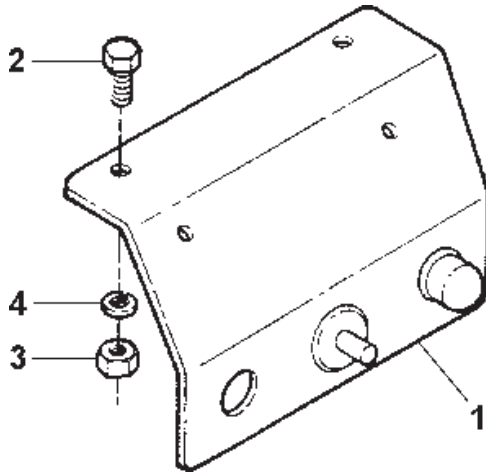
### CABLE ROLLER ASSEMBLY



REF. NO.	NO. REQ'D	PART NUMBER	DESCRIPTION
1	--	0900892	CABLE ROLLER ASSEMBLY
2	2	0400177	SCREW, 1/2"-13 X 1-1/4" HEX HD
3	2	0400408	NUT, 1/2"-13 NYLOK
4	1	0805037	CABLE ROLLER GUIDE WELDMENT

## Section VI - PARTS (cont'd)

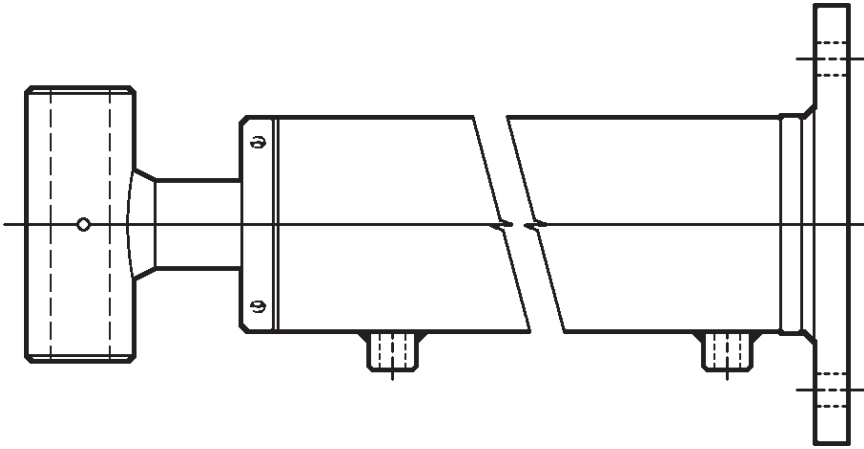
### STANDARD PTO PANEL



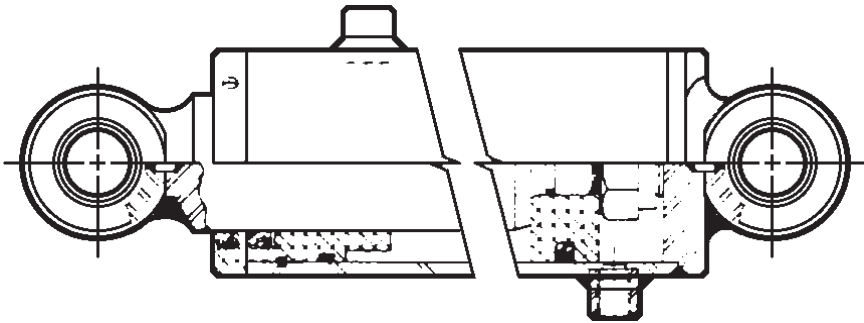
REF. NO.	NO. REQ'D	PART NUMBER	DESCRIPTION
1	1	0301675	PANEL (COMPLETE)
2	2	0400061	SCREW, 1/4"-20 X 3/4"
3	2	0400366	NUT, 1/4"-20 HEX
4	2	0400452	LOCKWASHER, 1/4"

# Section VI - PARTS (cont'd)

## HYDRAULIC CYLINDERS



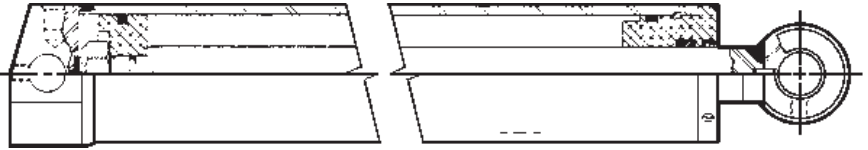
REF. NO.	NO. REQ'D	PART NUMBER	DESCRIPTION
1	1	0301970	CYLINDER, BED EXTEND (COMPLETE)
2	--	0306388	SEAL KIT, BED EXTEND CYLINDER



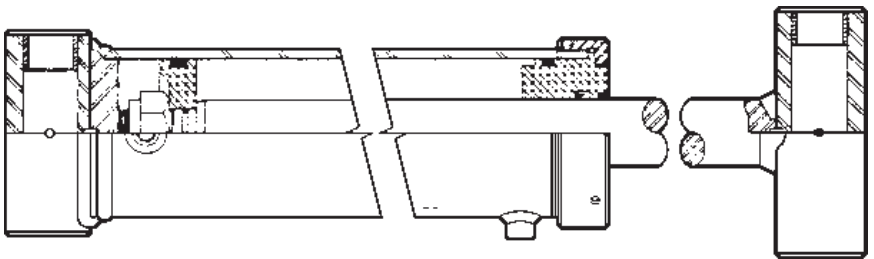
REF. NO.	NO. REQ'D	PART NUMBER	DESCRIPTION
1	2	0302867	CYLINDER, BED TILT (COMPLETE)
2	--	0306133	SEAL KIT, BED TILT CYLINDER

# Section VI - PARTS (cont'd)

## HYDRAULIC CYLINDERS



REF. NO.	NO. REQ'D	PART NUMBER	DESCRIPTION
1	1	0302178	CYLINDER, WHEEL LIFT EXTEND (COMPLETE)
2	--	0306134	SEAL KIT, WHEEL LIFT EXTEND CYLINDER



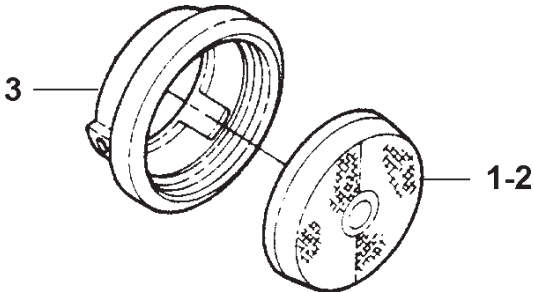
REF. NO.	NO. REQ'D	PART NUMBER	DESCRIPTION
1	1	0301484	CYLINDER, WHEEL LIFT LIFT (COMPLETE)
2	--	0306135	SEAL KIT, WHEEL LIFT LIFT CYLINDER

# Section VI - PARTS (cont'd)

## LIGHT KIT



REF. NO.	PART NUMBER	DESCRIPTION
1	0301390	LIGHT, SEALED RED (STOP & TURN)
2	0302201	LIGHT, SEALED WHITE (BACK-UP)
3	0304127	TAIL LIGHT GROMMET

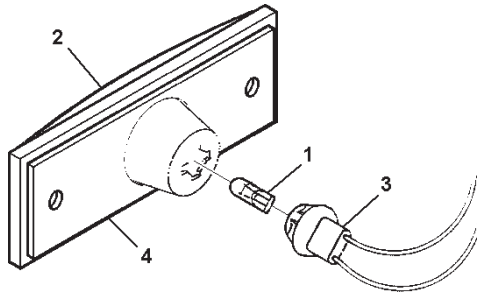


REF. NO.	PART NUMBER	DESCRIPTION
1	0301740	TAIL LIGHT GROMMET
2	0301741	LIGHT, SEALED RED (MARKER)
3	0301742	LIGHT, SEALED AMBER (MARKER)

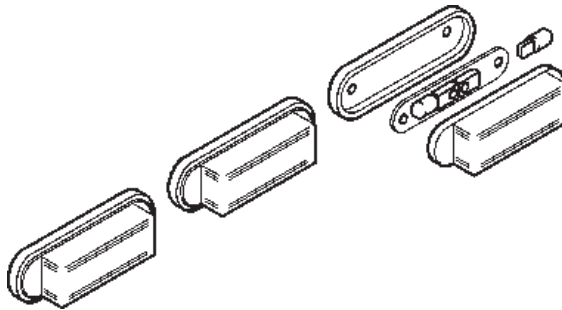


# Section VI - PARTS (cont'd)

## LIGHT KIT



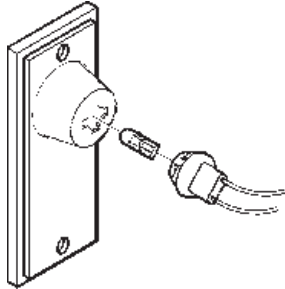
REF. NO.	PART NUMBER	DESCRIPTION
1	GP132	LIGHT, AMBER MARKER, RECTANGULAR (COMPLETE)



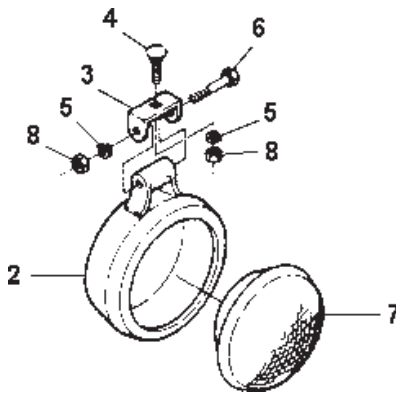
REF. NO.	PART NUMBER	DESCRIPTION
1	0306126	LIGHT ASSEMBLY (COMPLETE)

## Section VI - PARTS (cont'd)

### LIGHT KIT

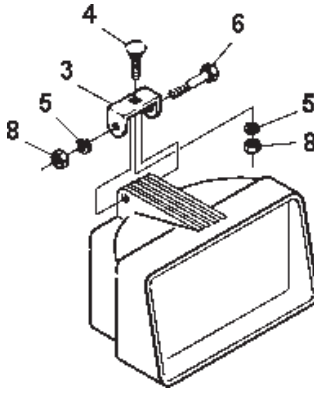


REF. NO.	PART NUMBER	DESCRIPTION
1	LT0118	LIGHT, AMBER MARKER, RECTANGULAR (COMPLETE)



REF. NO.	PART NUMBER	DESCRIPTION
1	0301505	WORK LIGHT (COMPLETE)
2	0304146	HOUSING, WORK LIGHT
3	0304148	MOUNTING BRACKET
4	0304149	MOUNTING SCREW
5	0304150	LOCKWASHER
6	0304151	PIVOT SCREW
7	0304152	BULB, WORK LIGHT
8	0304153	NUT

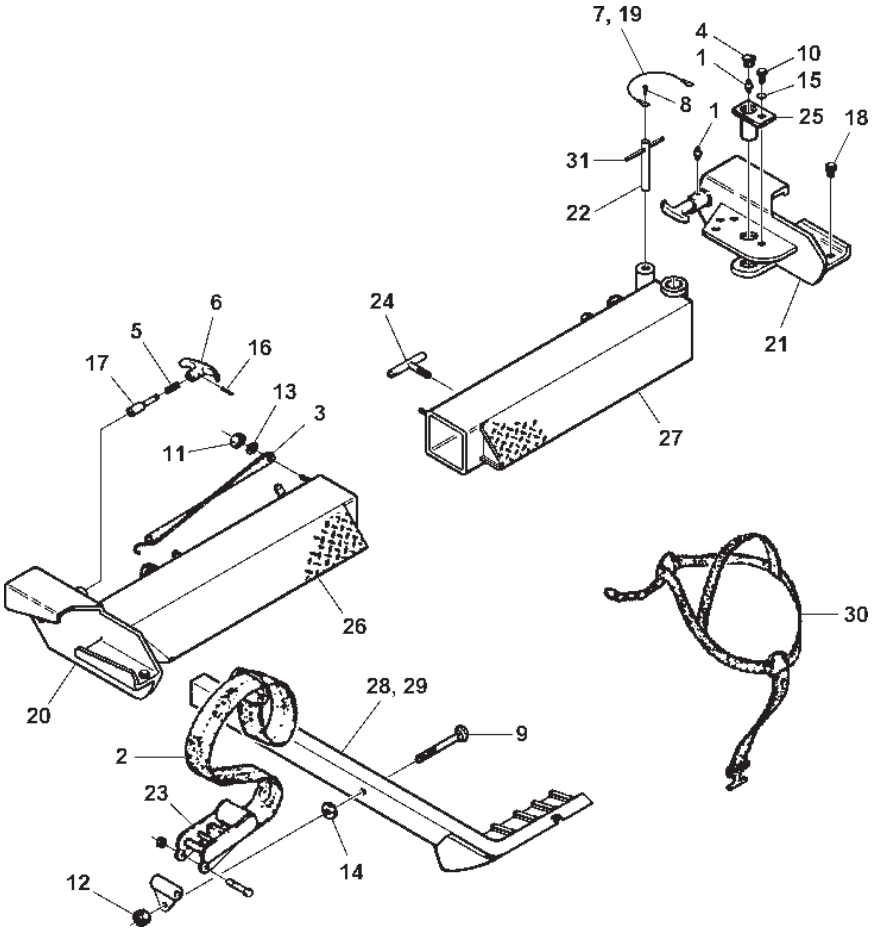
## Section VI - PARTS (cont'd) LIGHT KIT



REF. NO.	PART NUMBER	DESCRIPTION
1	174008003	RECTANGULAR WORK LIGHT (COMPLETE)
2	0304146	HOUSING, WORK LIGHT
3	0304148	MOUNTING BRACKET
4	0304149	MOUNTING SCREW
5	0304150	LOCKWASHER
6	0304151	PIVOT SCREW
7	0304152	BULB, WORK LIGHT
8	0304153	NUT

# Section VI - PARTS (cont'd)

## OPTIONAL OUTER CROSSTUBE & 3-WAY PIVOT TIRE RESTRAINT ASSEMBLY



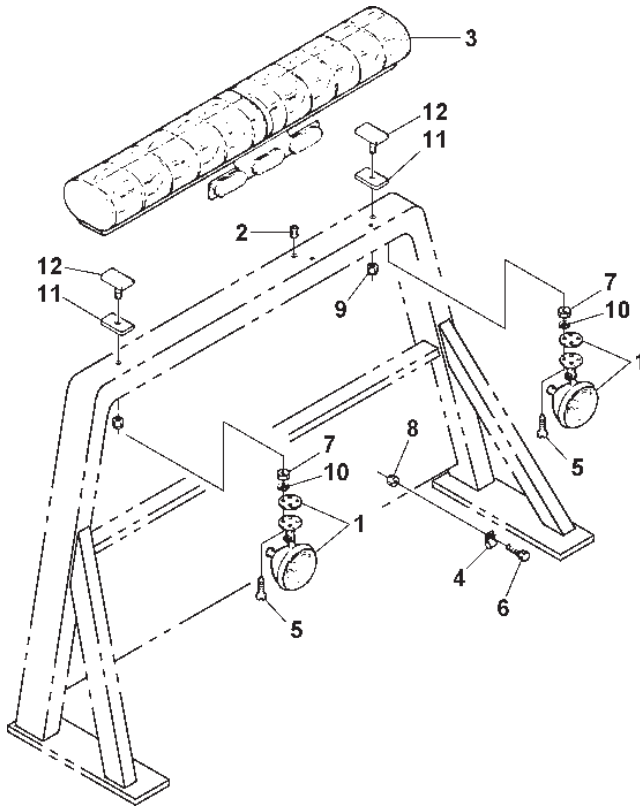
## Section VI - PARTS (cont'd)

### OPTIONAL OUTER CROSSTUBE & 3-WAY PIVOT TIRE RESTRAINT ASSEMBLY

REF. NO.	NO. REQ'D	PART NUMBER	DESCRIPTION
--	1	0904152	OUTER CROSSTUBE & PIVOT, LEFT (COMPLETE)
--	1	0904153	OUTER CROSSTUBE & PIVOT, RIGHT (COMPLETE)
1	4	0300113	GREASE FITTING
2	2	0301399	STRAP, TIE DOWN W/ RATCHET (OPT.)
3	2	0301956	STRAP, 9" RUBBER
4	2	0302640	PLUG, DRY-OUT HOLE
5	2	0302641	SPRING, PLUNGER PIN
6	2	0302648	"T" HANDLE
7	1	0303918	CABLE ASSEMBLY
8	1	0400044	DRIVE SCREW, #10 X 1/2"
9	2	0400161	BOLT, 3/8"-16 X 2-3/4" CARRIAGE (OPT.)
10	2	0400349	SCREW, 3/8"-16 X 3/4" FL HD SKT
11	2	0400367	NUT, 1/4"-20 HEX NYLOK
12	2	0400398	NUT, 3/8"-16 NYLOK HALF (OPT.)
13	2	0400451	WASHER, 1/4" FLAT
14	2	0400480	WASHER, 3/8" FLAT (OPT.)
15	2	0400483	LOCKWASHER, 3/8" COUNTERSUNK
16	2	0400560	PIN, ROLL 5/32" X 1"
17	2	0707505	PIN, PLUNGER
18	2	0712933	PIN ALIGNMENT
19	2	0712934	CABLE PROTECTOR
20	1	0712928	END PLATE WELDMENT, L.H.
21	1	0712929	END PLATE WELDMENT, R.H.
22	2	0714415	PIN
23	2	0800583	PIVOT TIE DOWN (OPT.)
24	2	0306564	TEE HANDLE
25	2	0802187	SHAFT, PIVOT
26	1	0802675	OUTER CROSSTUBE, L.H.
27	1	0802676	OUTER CROSSTUBE, R.H.
28	1	0803648	TIRE RESTRAINT, SCOOP, LEFT
29	1	0803649	TIRE RESTRAINT, SCOOP, RIGHT
30	2	0902382	1" NYLON POLY-COAT STRAP (OPT.)
31	2	HD0107	SPRING PIN, 3/16" X 2"

# Section VI - PARTS (cont'd)

## OPTIONAL LIGHTING ACCESSORIES

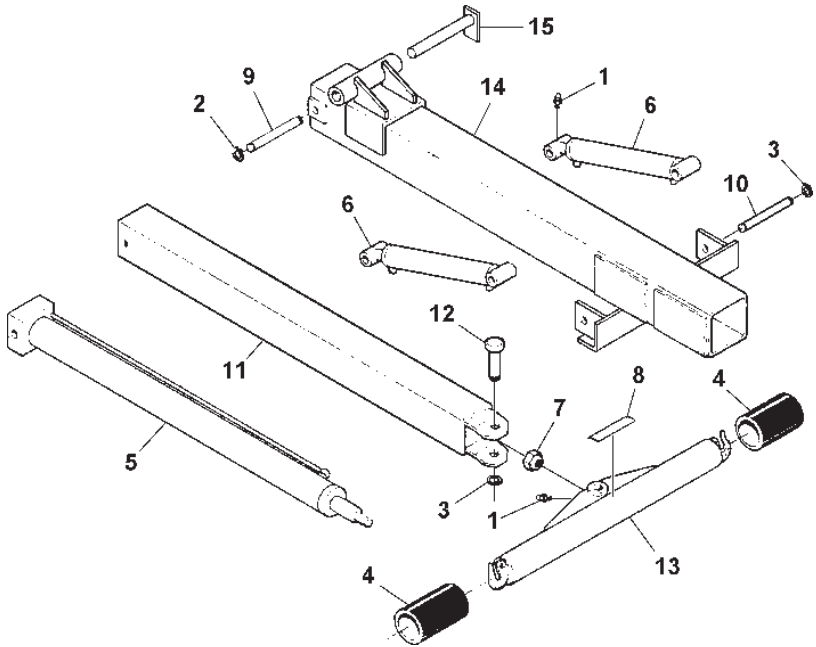


REF. NO.	NO. REQ'D	PART NUMBER	DESCRIPTION
1	2	0300095	SPOT LIGHT W/GASKET
2	2	0300897	GROMMET, RUBBER
3	1	0301359	WRECKER SPECIAL LIGHT
4	1	0301601	WIRE CLIP
5	8	0400043	SCREW, #10-24 X 1" MACHINE
6	1	0400061	SCREW, 1/4"-20 X 3/4" HEX HD CAP
7	8	0400356	NUT, #10-24 HEX NYLOK
8	1	0400367	NUT, 1/4"-20 HEX NYLOK
9	2	0400392	NUT, 3/8"-16 HEX NYLOK
10	8	0400520	LOCK WASHER, #10
11	2	0709872	RUBBER CUSHION
12	2	0801777	"T" BOLT ADAPTER

# Section VI - PARTS (cont'd)

## OPTIONAL EQUIPMENT

### INDEPENDENT TOWBAR ASSEMBLY

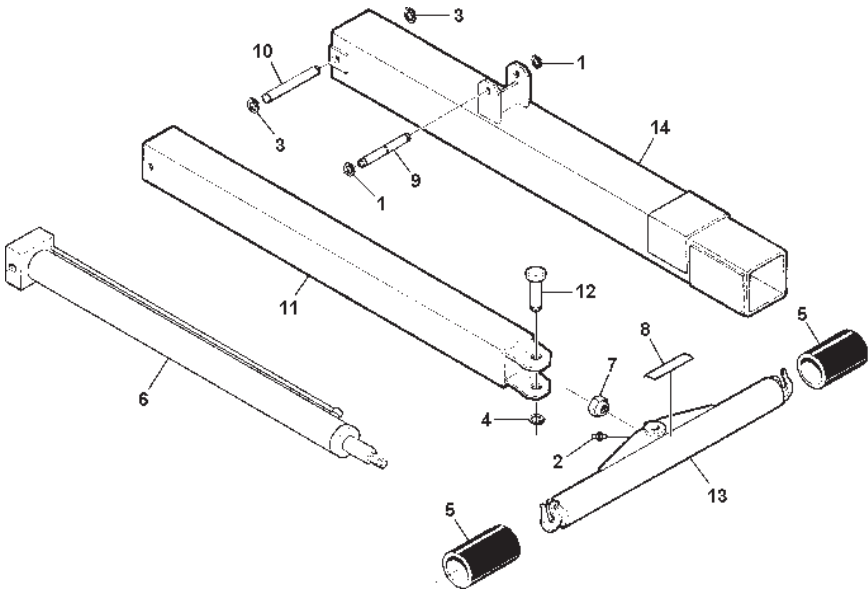


REF. NO.	NO. REQ'D	PART NUMBER	DESCRIPTION
--	--	--	INDEPENDENT TOW BAR ASSEMBLY (COMP.)
1	3	0300113	GREASE FITTING
2	2	0301381	SNAP RING, 3/4"
3	5	0301642	SNAP RING, 1-1/4"
4	2	0301723	GUARD, TOW BAR BUMPER
5	1	0301798	CYLINDER, TOW BAR EXTEND
6	2	0302368	CYLINDER, TOW BAR
7	1	0400436	NUT
8	1	0500241	DECAL, SAFETY CHAIN WARNING
9	1	0702418	SHAFT, EXTEND CYLINDER
10	2	0702434	PIN, CYLINDER
11	1	0800777	TUBE, TOW BAR INNER
12	1	0800784	PIN, TOW BAR PIVOT
13	1	0800898	CROSSTUBE, TOW BAR
14	1	0805030	SHAFT, TOW BAR PIVOT, PIN WITH KEEPER
15	1	0805150	TUBE, TOW BAR OUTER

# Section VI - PARTS (cont'd)

## OPTIONAL EQUIPMENT

### FIXED TOWBAR ASSEMBLY



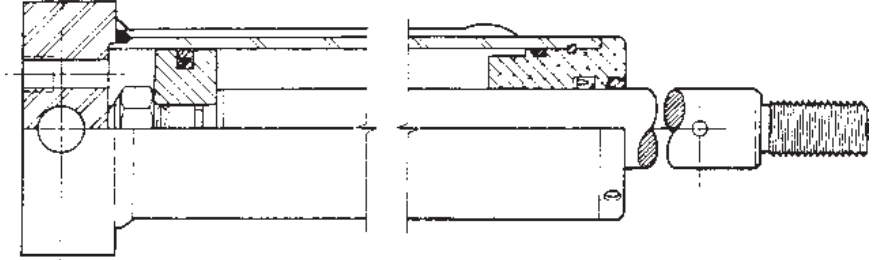
REF. NO.	NO. REQ'D	PART NUMBER	DESCRIPTION
--	--	--	FIXED TOW BAR ASSEMBLY (COMPLETE)
1	2	0300110	SNAP RING, 1"
2	1	0300113	GREASE FITTING
3	2	0301381	SNAP RING, 3/4"
4	1	0301642	SNAP RING, 1-1/4"
5	2	0301723	GUARD, TOW BAR BUMPER
6	1	0301798	CYLINDER, TOW BAR EXTEND
7	1	0400436	NUT
8	1	0500241	DECAL, SAFETY CHAIN WARNING
9	1	0700058	SHAFT, TOW BAR PIVOT
10	1	0702418	SHAFT, EXTEND CYLINDER
11	1	0800777	TUBE, TOW BAR INNER
12	1	0800784	PIN, TOW BAR PIVOT
13	1	0800924	CROSSTUBE, TOW BAR
14	1	0801403	TUBE, TOW BAR OUTER



# Section VI - PARTS (cont'd)

## OPTIONAL EQUIPMENT

### TOWBAR CYLINDER

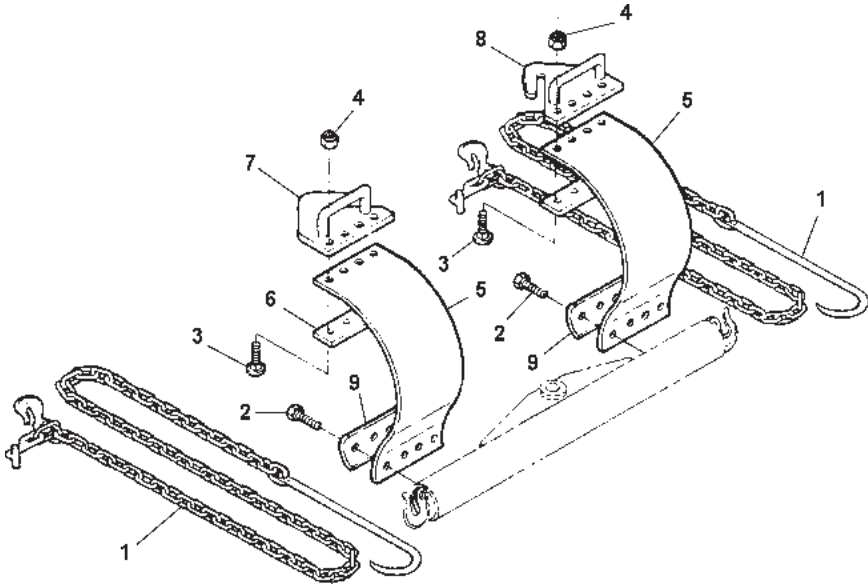


REF. NO.	NO. REQ'D	PART NUMBER	DESCRIPTION
1	1	0301798	CYLINDER, TOWBAR (COMPLETE)
2	--	0306136	SEAL KIT, TOWBAR CYLINDER

# Section VI - PARTS (cont'd)

## OPTIONAL EQUIPMENT

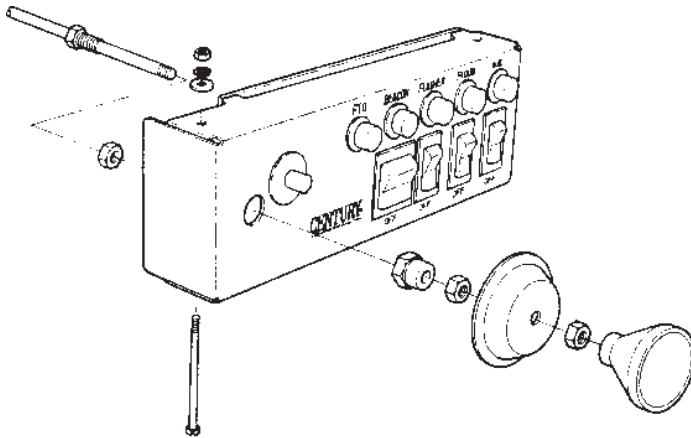
### TOWING SLING



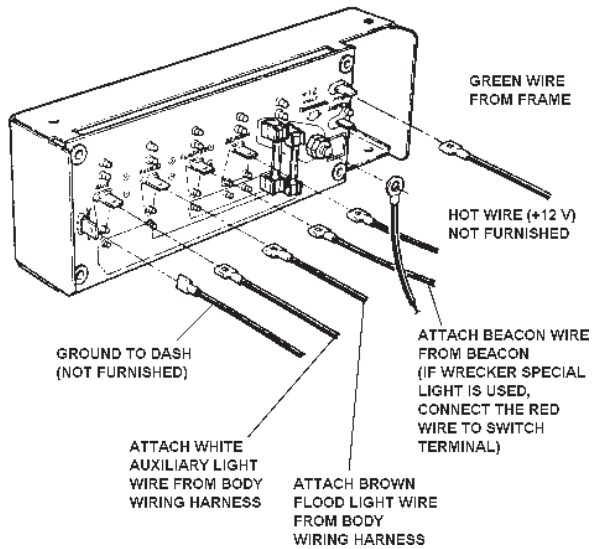
REF. NO.	NO. REQ'D	PART NUMBER	DESCRIPTION
1	2	0300176	"J" HOOK ASSEMBLY
2	8	0400105	SCREW, 5/16"-18 X 1-1/4" SELF-TAPPING
3	8	0400156	CARRIAGE BOLT, 3/8"-16 X 1-1/4"
4	8	0400392	NUT, 3/8"-16 HEX NYLOK
5	2	0701919	TOW SLING BELT
6	2	0701920	GRIP PLATE
7	1	0800608	CHAIN KEEPER, LEFT
8	1	0800609	CHAIN KEEPER, RIGHT
9	2	0800873	BELT RETAINER

# Section VI - PARTS (cont'd)

## OPTIONAL DASHBOARD PANEL



NOTE: CRIMP ALL WIRE CONNECTORS SECURELY.



**CENTURY®**

Miller Industries Towing Equipment Inc.

8503 Hilltop Drive • Ooltewah, Tennessee 37363 • (423) 238-4171

[www.millerind.com](http://www.millerind.com)